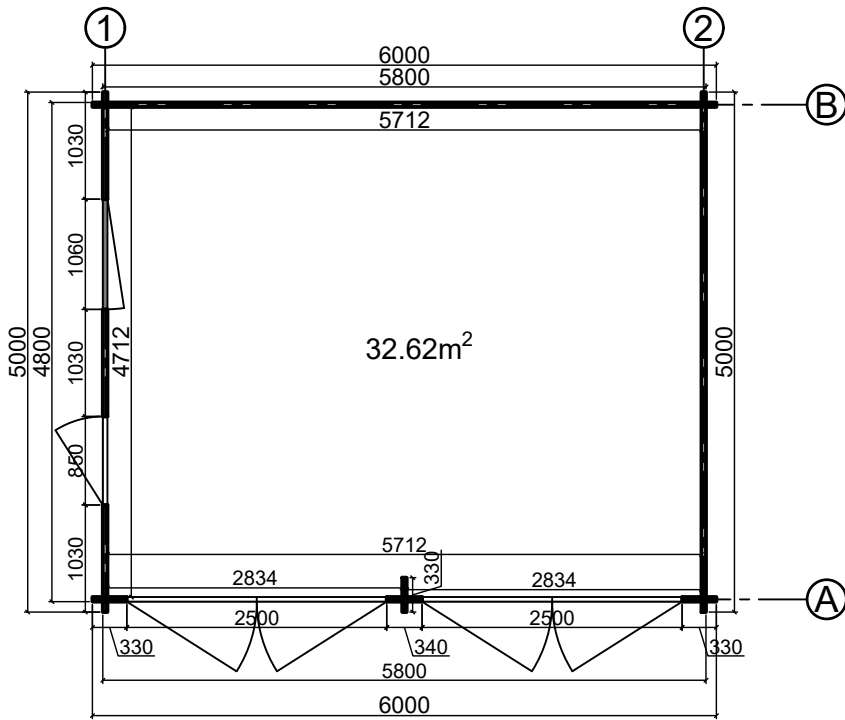
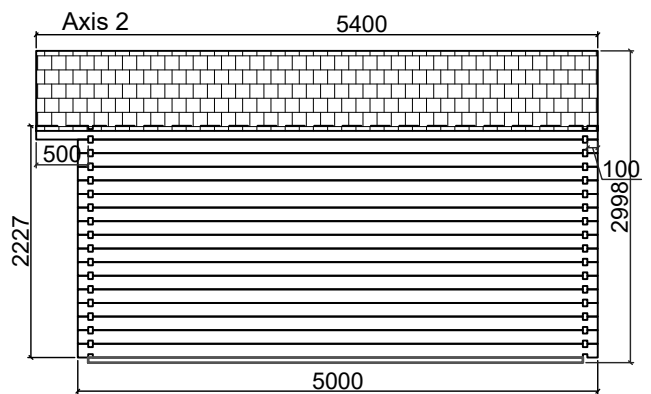
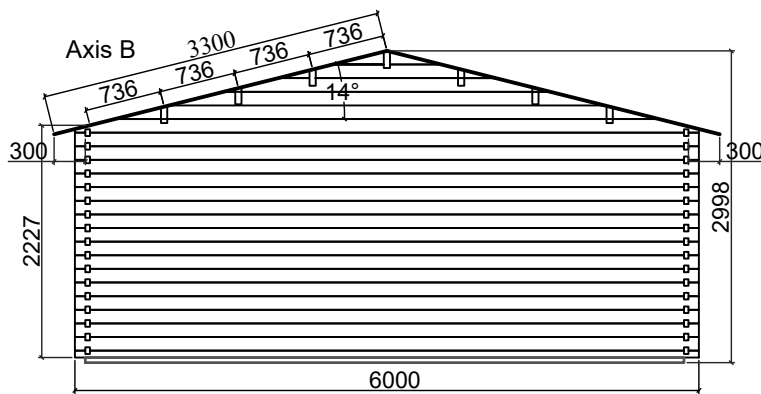
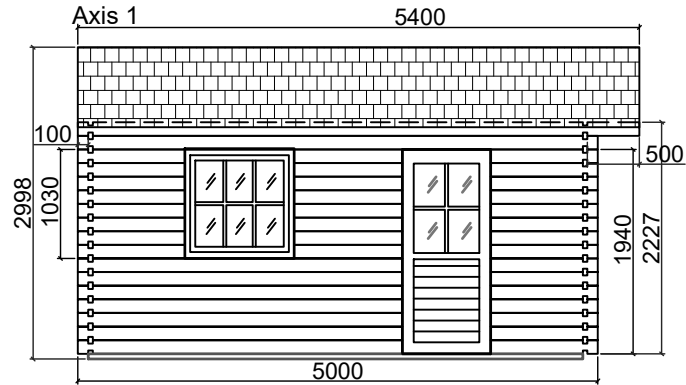
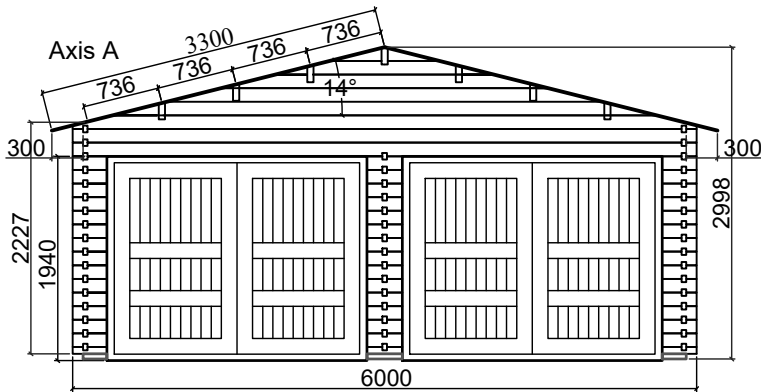
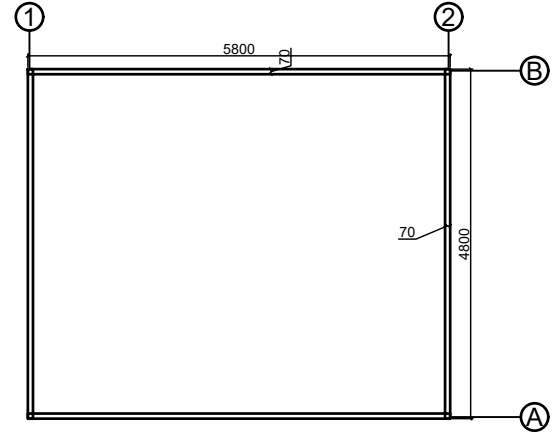


Floor plan



Base plan



CODE	G5	G1	W2
SIZE/mm	2500x1940	850x1940	1060x1030
QUANTITY	2	1	1
LEFT/RIGHT	0/2	0/1	0/1

CABIN SPECIFICATION

WALL LOG:	44mm
SIZE (m):	6x5
SIDE WALL HEIGHT :	2227 mm
RIDGE HEIGHT:	2998 mm
FLOOR AREA m ² :	32.62
ROOF AREA m ² :	35.64
FLOOR BOARDS mm:	No floor