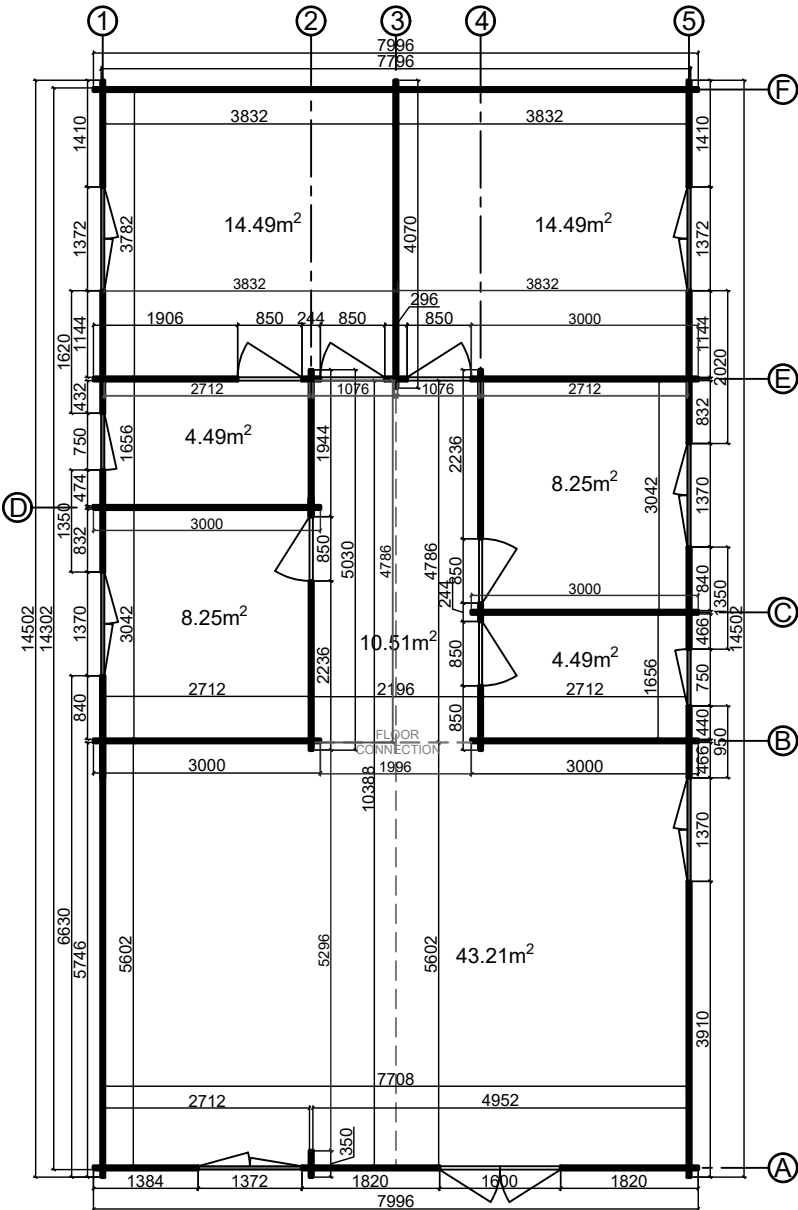


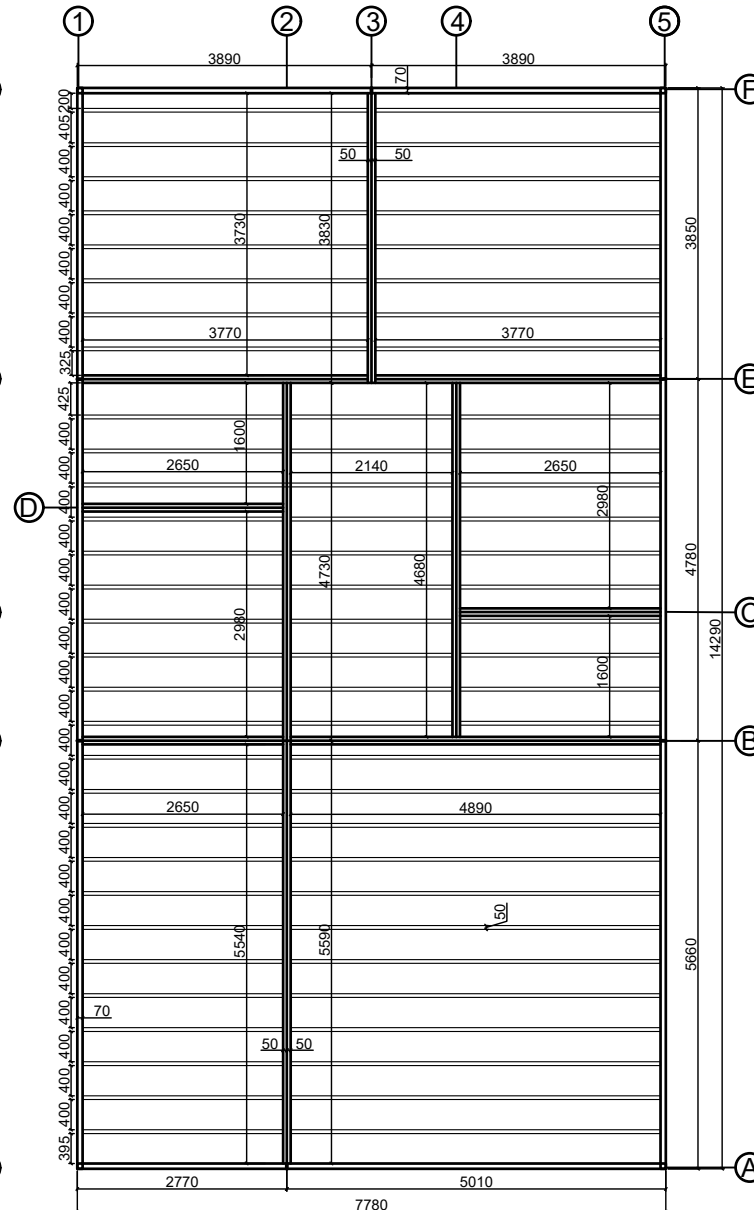
N25 080 145



Floor plan



Base plan

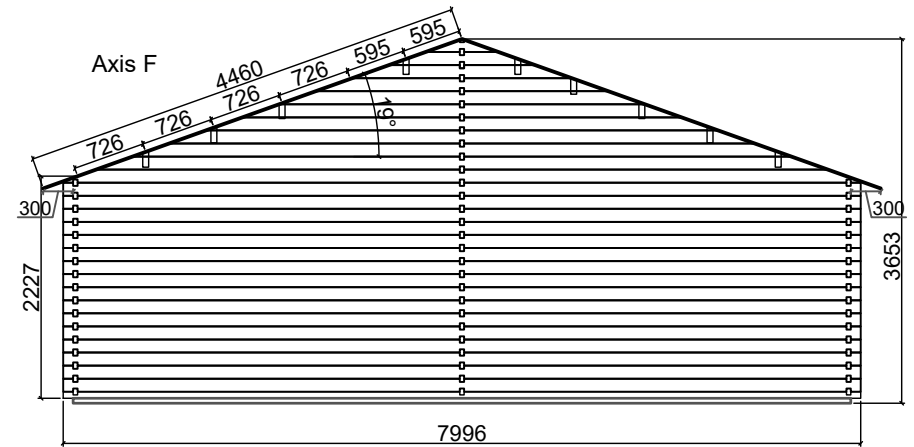
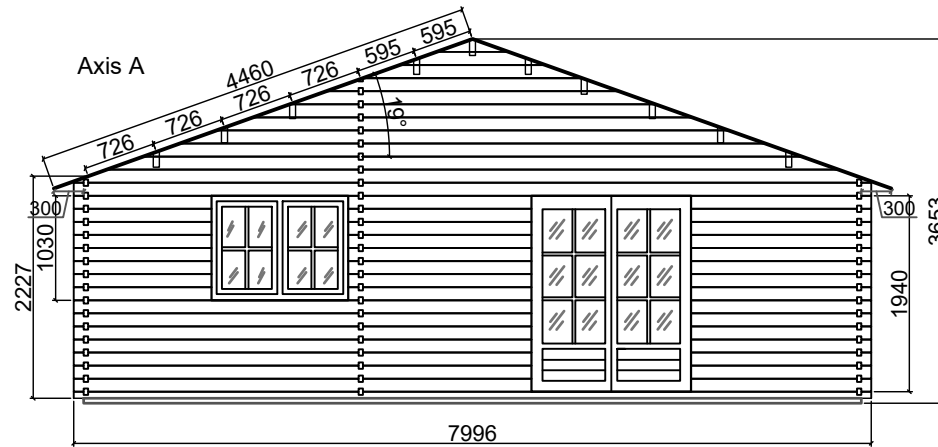


CODE	G3	G4	W3	W1
SIZE/mm	1600x1940	850x1940	1370x1030	750x1030
QUANTITY	1	6	6	2
LEFT/RIGHT	0/1	2/4	3/3	1/1

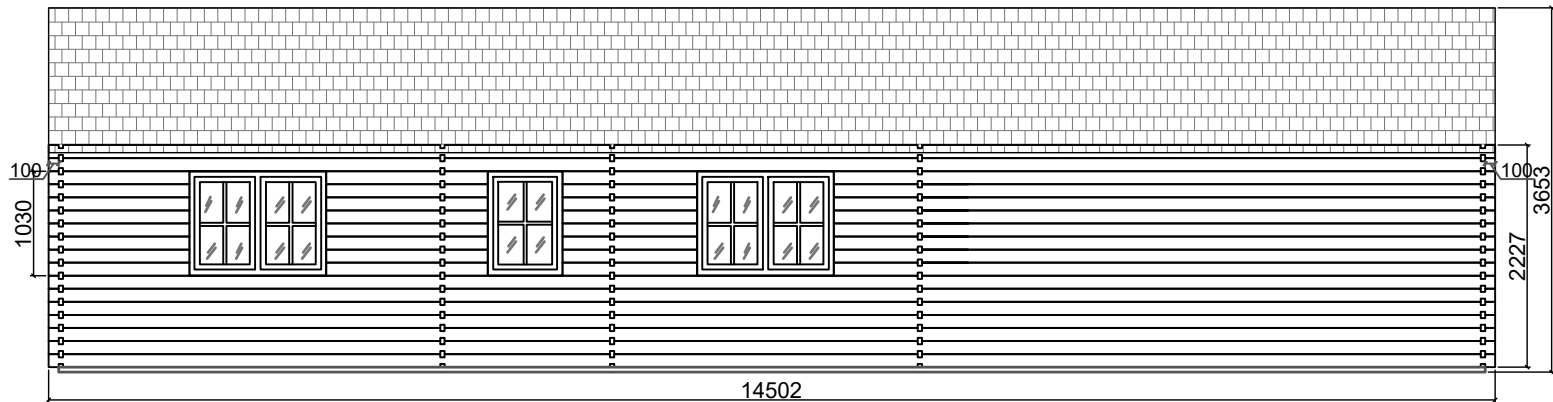
CABIN SPECIFICATION

- WALL LOG: 44mm
- SIZE (m): 8x14.5
- SIDE WALL HEIGHT: 2227mm
- RIDGE HEIGHT: 3653 mm
- FLOOR AREA m²: 108.15
- ROOF AREA m²: 129.35
- FLOOR BOARDS mm: 19

N25 080 145



Axis 1



Axis 5

