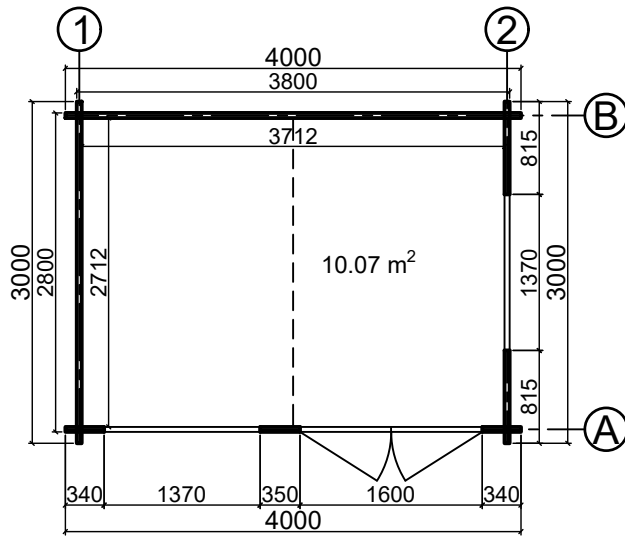
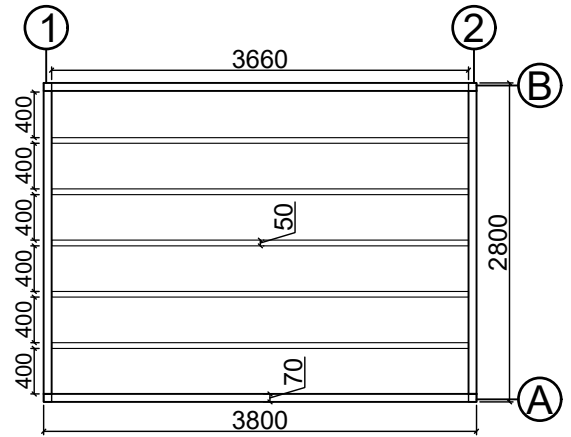


# N04 040 030

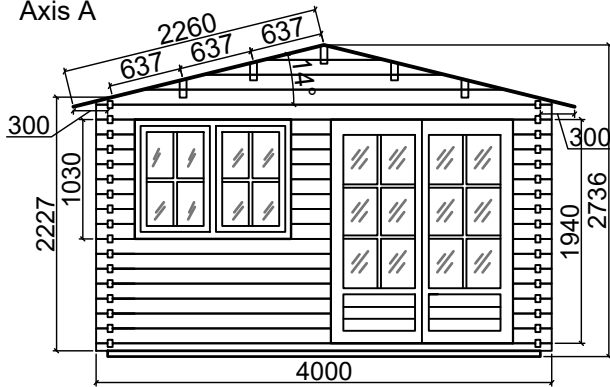
Floor plan



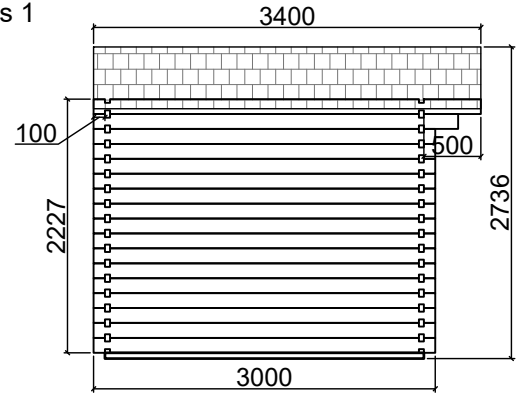
Base plan



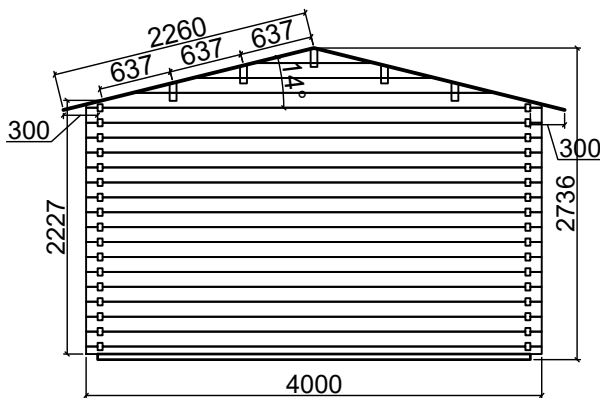
Axis A



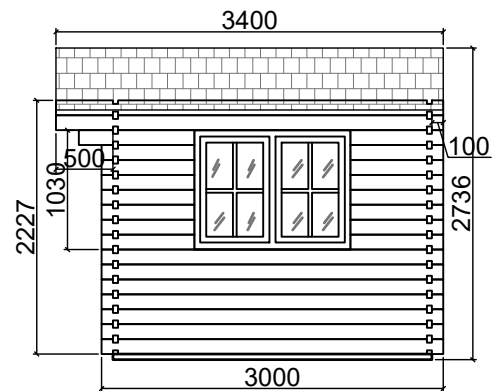
Axis 1


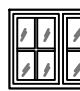


Axis B



Axis 2



		
CODE	<b>P3</b>	<b>W3</b>
SIZE/mm	1600x1940	1370x1030
QUANTITY	<b>1</b>	<b>2</b>
LEFT/RIGHT	<b>0/1</b>	<b>1/1</b>

## CABIN SPECIFICATION

WALL LOG:	44mm
SIZE (m):	4x3
SIDE WALL HEIGHT :	2227mm
RIDGE HEIGHT:	2736 mm
FLOOR AREA m <sup>2</sup> :	10.07
ROOF AREA m <sup>2</sup> :	15.37
FLOOR BOARDS mm:	19