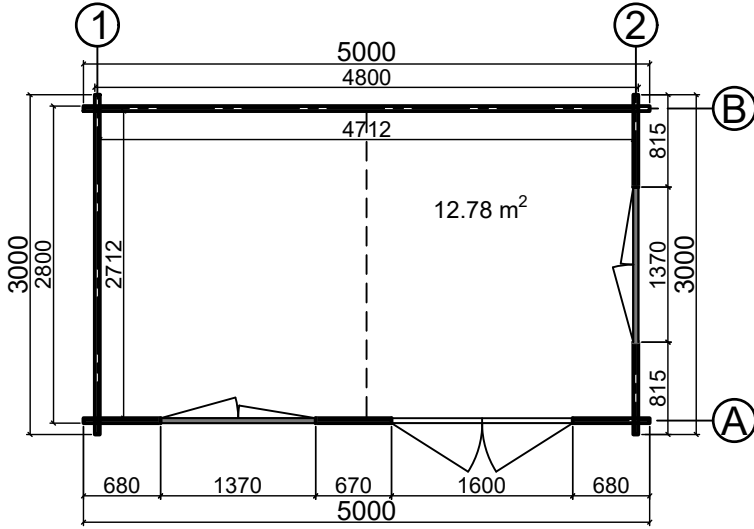
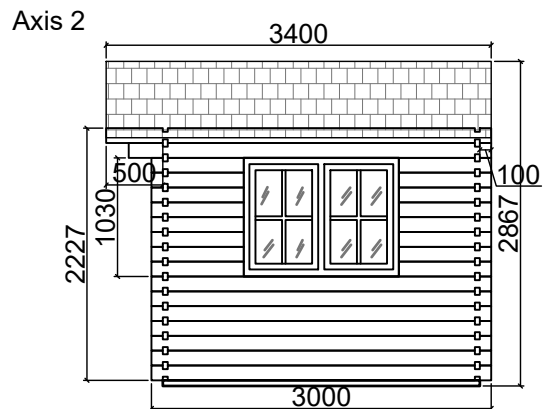
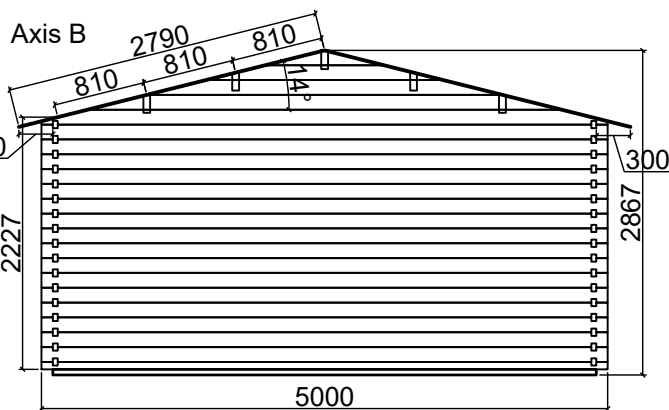
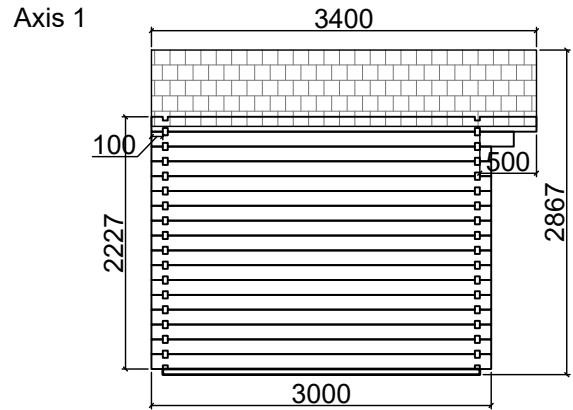
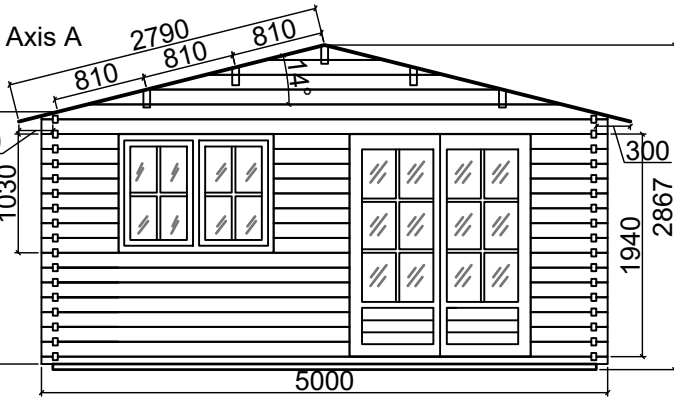
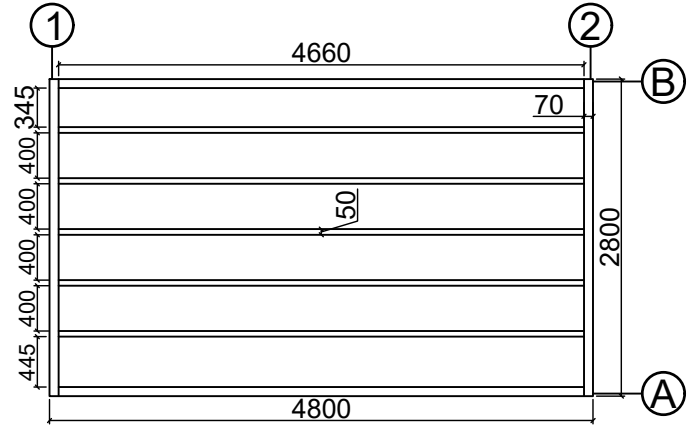



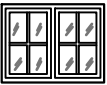
N04 050 030

Floor plan



Base plan



		
CODE	P3	W3
SIZE/mm	1600x1940	1370x1030
QUANTITY	1	2
LEFT/RIGHT	0/1	0/2

CABIN SPECIFICATION

WALL LOG:	44mm
SIZE (m):	5x3
SIDE WALL HEIGHT :	2227 mm
RIDGE HEIGHT:	2867 mm
FLOOR AREA m ² :	12.78
ROOF AREA m ² :	18.97
FLOOR BOARDS mm:	19